

# CONTRACOR®

corrosion control

EN

## Abrasive Blasting Machines DBS-100, DBS-200

OPERATION MANUAL

Version 2.5

DE

## Sandstrahlmaschinen DBS-100, DBS-200

BEDIENUNGSANLEITUNG

Version 2.5

Seite 17

RU

## Аппараты абразивоструйные DBS-100, DBS-200

РУКОВОДСТВО ПО ЭКСПЛУАТАЦИИ

Версия 2.5

стр. 32



# Contents

<b>1. Safety</b>	<b>3</b>
<b>2. General view</b>	<b>4</b>
<b>3. Set-up, operation and shut-down</b>	<b>6</b>
<b>4. Maintenance and Troubleshooting</b>	<b>8</b>
<b>5. Specification</b>	<b>10</b>
<b>6. Instructions for Use Pressure Vessel of Abrasive Blasting Machine CONTRACOR DBS</b>	<b>12</b>



## **ATTENTION!**

**READ AND FULLY UNDERSTAND THIS MANUAL BEFORE STARTING WORK.  
THE FOLLOWING INFORMATION IS IMPORTANT FOR SAFETY AND HEALTH OF  
OPERATOR AND PERSONNEL IN VICINITY.**



## **ATTENTION!**

**BUYING THE MACHINE, PLEASE, REQUEST TO FILL IN THE GUARANTEE CARD  
CORRECTLY!  
FAILURE TO PRODUCE A FILLED-IN FORM WILL MAKE YOUR GUARANTEE  
INVALID.**

# 1. Safety.



## ATTENTION!

### SAFETY MEASURES FOR ABRASIVE BLASTING.

1. **You must wear protective equipment: a helmet with positive air feed, breathing air filter, protection suit, leather gloves, and special footwear.**
2. **Do not use worn or damaged equipment during operation.**
3. **Point the nozzle only at the area to be cleaned.**
4. **Use only dry well-sieved abrasive materials, appropriate for abrasive blasting operations.**
5. **All personnel without protection equipment should be outside the zone of blasting operations.**
6. **Before starting abrasive blasting operations you must:**
  - Ensure that hoses and fittings are not worn;
  - Fix hose couplings with wire;
  - Ensure that air is fed to the helmet;
  - Ensure that pressurizing valve is in correct position;
  - Ensure that the machine is in steady state position

## 2. General view.

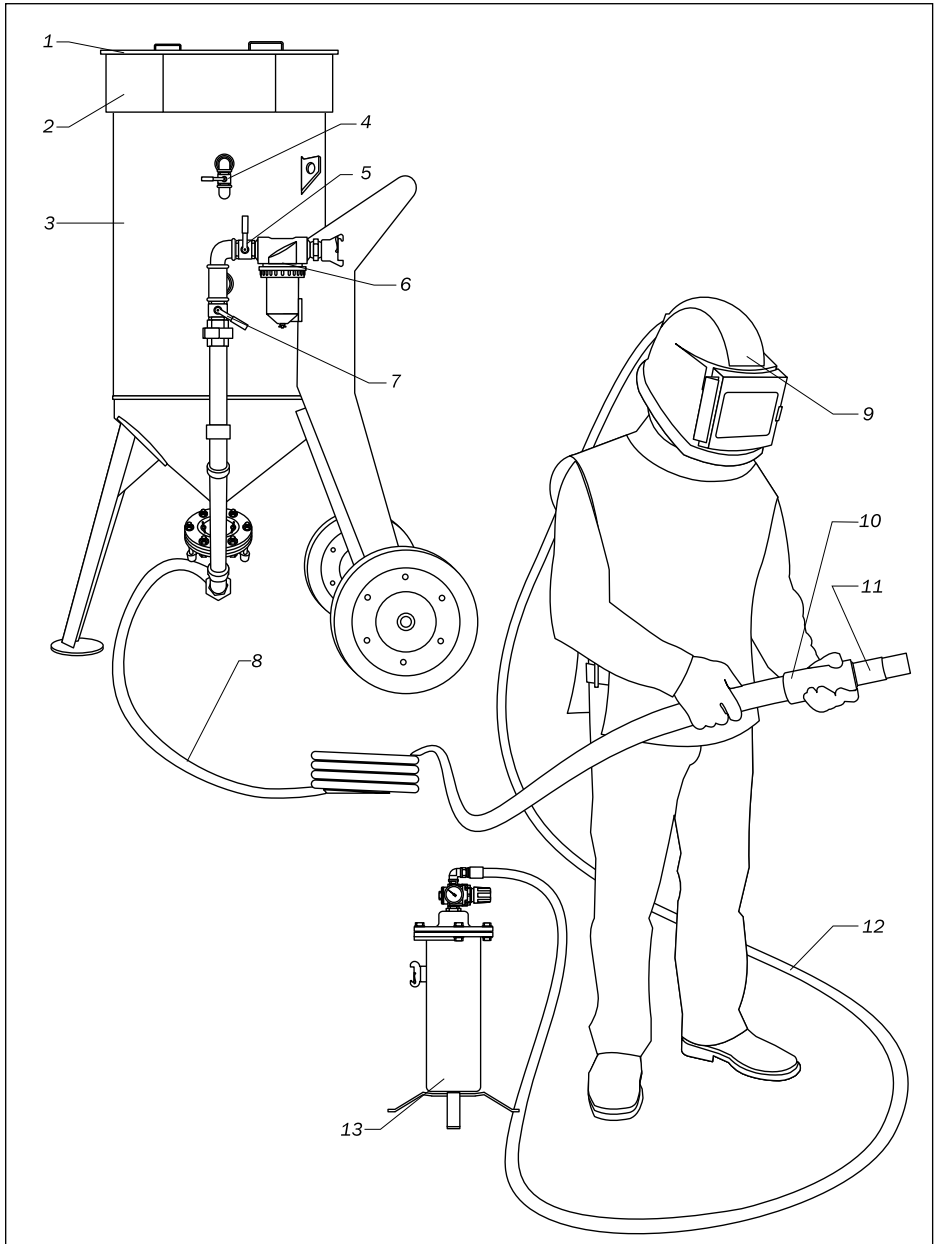


Table. 2.1.

Article	Model	Description, configuration
10100	DBS-100	Abrasive Blasting Machine, 100 l, screen, cover, filter, oil and moisture separator CAF-3, abrasive metering valve FSV.
10200	DBS-200	Abrasive Blasting Machine, 200 l, screen, cover, filter, oil and moisture separator CAF-3, abrasive metering valve FSV.

◀ Fig. 2.1.

- 1 – cover,
- 2 – screen,
- 3 – machine tank,
- 4 – pressurizing ball valve,

- 5 – upper air line ball valve,
- 6 – moisture and oil separator CAF-3,
- 7 – lower air line ball valve,
- 8 – abrasive blasting hose ExtraBlast,

- 9 – COMFORT Operator Helmet,
- 10 – nozzle holder,
- 11 – nozzle,
- 12 – breathing air hose,
- 13 – breathing air filter BAF-1,

## **3. Set-up, operation and shut-down.**

### **3.1. Preparation for operation.**

1. Ensure that compressor is positioned out of the abrasive blasting operation zone on downwind side.
2. Start compressor and increase pressure and temperature up to operational values.
3. Open lower ball valve at machine compressed air line (the handle of the open valve should be parallel to the compressed air line).
4. Open the tank venting ball valve.
5. Close compressed air feed ball valve (upper ball valve on the compressed air line).
6. Close metering valve FSV by setting adjusting handle in the central position.
7. Connect compressed air hose to coupling of the machine. Compressed air hose diameter should be at least 1.1/4" . Lock hose coupling with a safety clip or wire.
8. Connect abrasive blasting hose to hose coupling of the machine. Lock hose coupling with a safety clip or wire.
9. Fill the machine tank with abrasive.
10. Put protective equipment on.

## 3.2. Abrasive blasting operations.

1. Feed compressed air to the machine inlet.



### **ATTENTION!**

**MACHINE MAXIMUM OPERATING PRESSURE – 10 bar.**

2. Close the pressurizing ball valve.
3. Upon the signal of the abrasive blasting operator open the ball valve and feed compressed air into the machine line. The tank is pressurized. Only compressed air is expelled from the nozzle.
4. Adjust metering valve FSV to provide optimal air-abrasive mixture. The general rule for abrasive blasting operations: the less abrasive you use, the better.
5. To stop operation close the compressed air feed ball valve and immediately open the pressurizing ball valve to relieve pressure in the tank.

## 3.3. Abrasive blasting operation shut-down.

1. Remove the remains of abrasive from the tank. To do this disconnect the nozzle and point the hose into a suitable container for the abrasive remains. Close the pressurizing ball valve and open compressed air feed ball valve.
2. If upon completion of operation the machine is left outside you should cover it with plastic film to avoid ingress of moisture into the tank.

# 4. Maintenance and Troubleshooting.

## 4.1. Machine maintenance.

### **Pressurizing valve replacement.**

Open the inspection door of the machine to get access to the pressurizing valve. Screw out the guide tube with the valve inside. Install a new valve and screw the guide tube back into its place.

### **Pressurizing valve ring replacement.**

The ring is replaced through the machine filling orifice. Pull out the old ring, put a new ring into the groove and press it firmly to correct position.



## **ATTENTION!**

**USE ONLY ABRASIVE MATERIALS, APPROPRIATE FOR ABRASIVE BLASTING OPERATIONS.**

**NEVER USE WET UNSIFTED ABRASIVE MATERIALS.**

## 4.2. Troubleshooting.

### **Clogging.**

If neither abrasive, nor air comes out of the nozzle, relieve pressure and depressurize the machine, then ensure that the nozzle is not clogged. If only air without any abrasive comes out of the nozzle, fully open the metering valve, and then quickly close and open again the lower ball valve of the line. If these actions do not help to relieve the pressure in the machine, open the inspection door and ensure that there is no foreign matter in the tank (stones, paper, etc.).

### **Abrasive surges.**

During start-up of the machine abrasive surges are normal to a certain degree. However, if abrasive surges continue, you should stabilize the abrasive flow by quick closing and opening of the line lower ball valve. Abrasive surges often result from elevated moisture



content in compressed air system. Installation of additional moisture and oil separator can solve this problem.

**Wet abrasive removal.**

To remove wet abrasive from machine tank you should disconnect the blasting hose and remove rubber gaskets at machine hose coupling. Then you must fully open the metering valve and close the lower ball valve in the machine compressed air line. With such valve configuration compressed air will only enter the machine tank and press wet abrasive out of the tank.

## 5. Specification.

No	Article	Description	Q-ty	
			DBS-100	DBS-200
1	10900	Hose coupling, CFT	2	2
2	10911	Nipple 1 1/4" (MM), rubberized	4	4
3	10930	Oil-Moisture separator, CAF-3	1	1
5	10915	Union with cap nut, straight, 1 1/4", (FM)	2	1
6	10909	Elbow, 90°, 1 1/4" (FM)	1	1
7	10910	T-piece, 90°, 1 1/4", (FFF)	1	1
8	10942	Ball valve, 1 1/4", (MM)	2	2
9	10913	Union with a cap nut, straight, 1 1/4", (FF)	—	1
10	10914	Pipe 1 1/4"	—	1
11	10916	Elbow, 45°, 1 1/4" (FF)	1	1
12	10918	Pipe 1 1/4", (MM) 390 mm for DBS-100	1	—
	10917	Pipe 1 1/4", (MM) 475 mm for DBS-200	—	1
13	10919	Elbow, 45°, 1 1/4" (FM)	1	1
14	10990	Y-piece, 45°, 1 1/4", (FFF), rubberized	1	1
15	10921	Pipe 1 1/4", (100mm), rubberized	1	1
16	10850	Abrasive metering valve, FSV	1	1
17	10994	Pipe 1", (MM) 190 mm for DBS-100	1	—
	10952	Pipe 1", (MM) 260 mm for DBS-200	—	1
18	10953	Elbow 90°, 1", (FF)	1	1
19	10993	Pipe 1", (M) 165 mm for DBS-100	1	—
	10954	Pipe 1", (M) 190 mm for DBS-200	—	1
20	10955	Guide	1	1
21	10960	Pressurizing valve	1	1
22	10950	Pressurizing valve seat	1	1
23	10932	DBS tank service assembly, kit	1	1
24	10935	Screen	1	—
	10936	Screen	—	1
25	10933	Tank cover	1	—
	10934	Tank cover	—	1
33	10922	Wheel	2	—
	10923	Wheel	—	2
34	10941	Elbow, 90°, 1", (FM)	2	2
35	10938	Ball valve, 1" (MF)	1	1

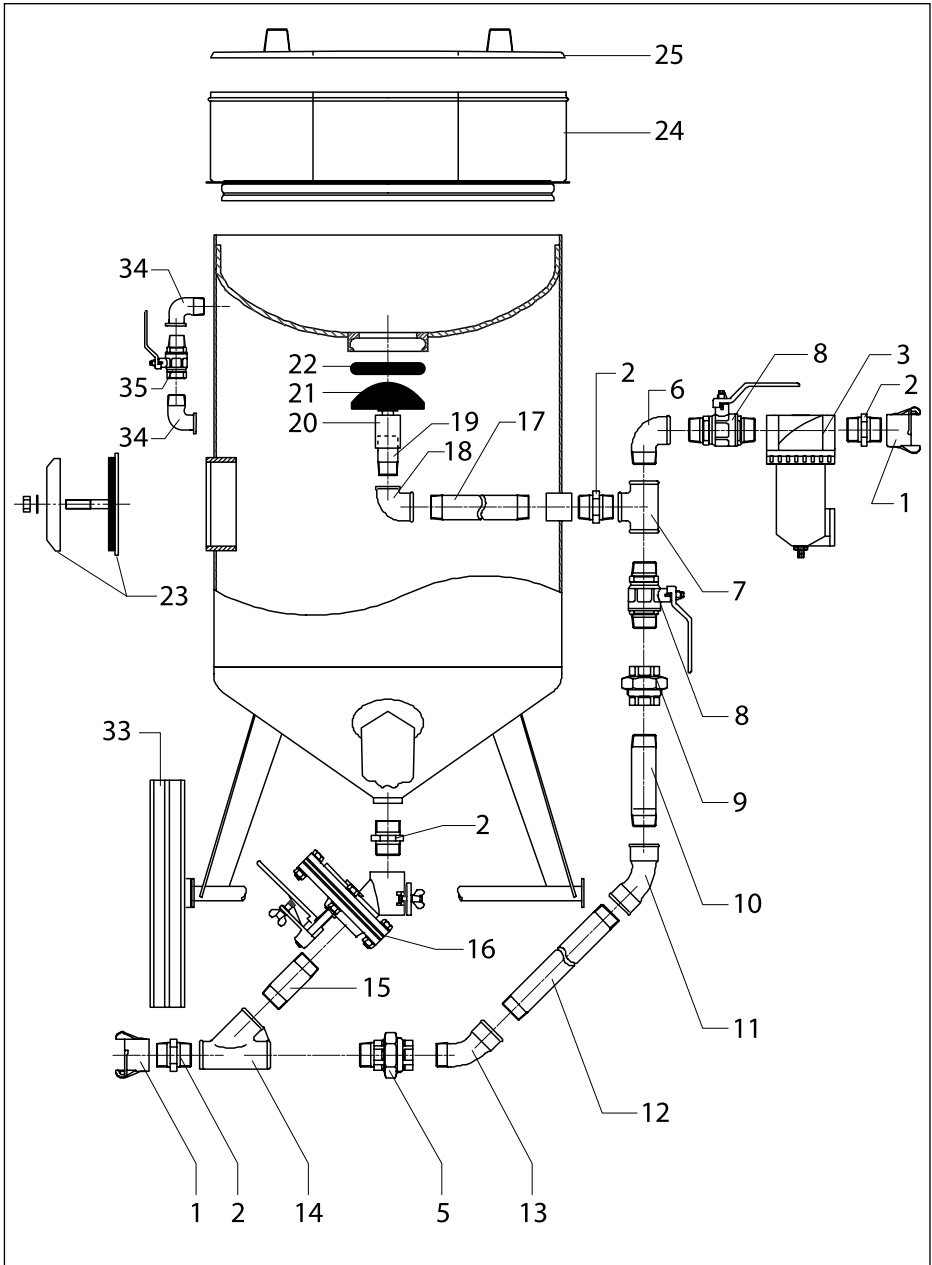


Fig. 5.1.

# 6. Instructions for Use Pressure Vessel of Abrasive Blasting Machine **CONTRACOR DBS.**

## 6.1. Technical Parameters.

Vessel Type		DBS – 100 - 10	DBS – 200 - 10
Volume	V (L)	100	200
Calculated Pressure	P (Bar)	10	10
Maximum Working Pressure	PS (Bar)	10	10
Maximum Test Pressure	PT (bar)	14,3	14,3
Minimal Operating Temperature	TSmin ( °C)	-10	-10
Maximum Operating Temperature	TSmax ( °C)	50	50
Corrosion charge	c <sub>2</sub> (mm)	0,5	0,5
Media		air + abrasive materials	air + abrasive materials

## 6.2. Field of Application.

The pressure vessels are intended for use only with the media and within the parameters stated in the table above. The use for any other purpose is not allowed.

## 6.3. Set Up and Installation.

1. The vessels can be set up indoors or outdoors under a roof. Safety-regulations and standards and fire-regulations and standards, depending on the media used, must be observed when choosing a place for setup. When set up outdoors, the minimal and maximum working temperatures must be observed.

2. The vessels have to be installed in such a way that they and all fittings and parts are accessible for inspections, tests, maintenance and cleaning, from the inside and the outside.  
The type plate has to be accessible and kept clean so that it is readable at all times.
3. The main body is based on supports, stands or feet suitable for the strain of the pressure test. The vessel must be set up on foundations with a stability suitable for the strain of the pressure test.

## **6.4. Setting the Vessel to Work.**

### **A. Conditions for setting the vessel to work.**

1. The vessel can be set to work, including test operation, if:
  - its condition does not pose a danger to people and environment,
  - the system and equipment is complete, tested and meets the requirements according to the documentation and applying standards.

### **B. Procedure before start up of the machine**

2. Before closing the vessel make sure that there is no foreign matter or object inside.
3. Make sure that all inspection doors and flanges have the correct number of bolts, that the bolts are inserted correctly in place and of the right length and tightened to the correct torque.

### **C. Start up Procedure.**

4. If not stated otherwise in the instructions for the start up of the vessel, the control valve must open in such a way that the pressure does not rise more than 5 bar per minute and the temperature does not exceed the value stated for the start up of the vessel. Avoid sudden changes in pressure or temperature as they can cause unfavourable tension.
5. Always watch the vessel, valves and fittings during the start up of the system. If a problem occurs, e.g. leaks or cracks, the vessel has to be closed down immediately.
6. **During transport vessels must not be under pressure and they must not contain media.**
7. When the working pressure is built up, check the vessel and its attachments for leaks.

### **D. Operation of the vessels.**

8. The vessel must be closed down immediately,
  - if cracks appear,
  - if there is a leak in a connection that can be disassembled,
  - if there is a safety-equipment failure or defect (e.g. clogging of the safety valve) or a failure of the level meter etc.,
  - when there is immediate danger of an accident or a problem if operation continue,
  - if any other unusual phenomena occur during operation whose causes cannot be found or eliminated,
  - if a deformation on the vessel wall occurs,
  - if the temperature exceeds the maximum working temperature,
  - in all cases stated in the manual that advise the operator to do so.

## 6.5. Operating the Vessel.

1. Only persons meeting the following requirements are allowed to operate the vessel:
  - The person is of age and able to do such work,
  - The person knows the applying regulations and rules for the operation of the vessel well, has been trained practically and has passed a corresponding exam which is documented by a certificate.

### **A. Duties and responsibilities of the operator**

2. The person appointed to operate the vessel is obliged to:
  - know all facilities and equipment securing a safe operation, and their use, well and be able to react appropriately in unusual circumstances to restore safety,
  - report every problem, damage or unusual incidents, occurring during operation of the vessel or its attachments, to his superior immediately and close down the vessel if further operation could be dangerous,
  - take part in checks and inspections of the vessel, so that he knows the condition of the vessel,
  - check and test the equipment as recommended,
  - document the operation according to the regulations,

### **B. Vessel Inspections and Tests**

3. The vessels have to be subjected to the following tests and inspections:
  - External inspection during operation,
  - Inspection of interior,
  - Leak test,
  - Pressure test ,  
The tests must be conducted according to the applying regulations for the use of pressure equipment of the respective country that the vessel is used in.

### **C. Documentation of Inspections.**

4. The results of the inspections and tests are recorded in an inspection log, filled in on inspection cards or an inspection-certificate is written. The inspection log has to be kept with the user and available during the whole period of use of the vessel.

## **6.6. Cleaning and Maintenance of Vessels.**

1. The cleaning method and media have to be in such a way that they do not damage the walls of the vessel or endanger the workers.
2. The vessel must be cleaned inside and outside and it must be covered with a suitable layer of paint that protects it from influences of the operating media and external influences.
3. Only specially trained and experienced persons are allowed to work on the vessel and the system components, including the safety equipment. They have to be appointed with their names put down and they have to know the regulations in this field of work.

## **6.7. Repair of Vessels.**

It is not allowed to weld or work on the parts of the vessel that are subject to pressure. Only authorized organizations are allowed to install or repair the vessels.



# Inhalt

1. Sicherheit	18
2. Ansicht Arbeitsaufbau	19
3. Aufbau, Betrieb und Beenden der Arbeit	21
4. Wartung und Fehlerbehebung	23
5. Spezifikation	25
6. Bedienungsanleitung der Druckbehälter des Strahlgerätes CONTRACOR DBS	27



## **ACHTUNG!**

**BITTE LESEN SIE DIESES HANDBUCH VOR GEBRAUCH DER MASCHINE  
GENAU DURCH:**

**DIE FOLGENDEN INFORMATIONEN SIND WICHTIG FÜR DIE SICHERHEIT  
UND GESUNDHEIT DES ANWENDERS UND PERSONEN, DIE SICH IN DER  
NÄHE AUFHALTEN.**



## **ACHTUNG!**

**ACHTEN SIE BEIM KAUF DER MASCHINE BITTE DARAUF, DASS DIE  
GARANTIEKARTE VOLLSTÄNDIG AUSGEFÜLLT WIRD.**

**WENN DIE KARTE NICHT AUSGEFÜLLT VORLIEGT, BESTEHT KEIN  
GARANTIEANSPRUCH.**

# 1. Sicherheit.



## **ACHTUNG!**

### **SICHERHEITSREGELN FÜR STRALARBEITEN.**

- 1. Tragen Sie Schutzausrüstung: einen Strahlhelm mit Frischluftzufuhr und Atemluftfilter, einen Schutzanzug, Lederhandschuhe, und spezielles Schuhwerk.**
- 2. Benutzen Sie keine abgenutzte oder beschädigte Ausrüstung.**
- 3. Richten Sie die Düse nur auf den zu bearbeitenden Bereich.**
- 4. Verwenden Sie nur geeignete, trockene und gut durchgesiebte Strahlmaterialien.**
- 5. Alle Personen ohne Schutzausrüstung müssen außerhalb des Arbeitsbereiches bleiben.**
- 6. Bevor Sie mit der Strahlarbeit beginnen, müssen Sie folgendes beachten:**
  - Stellen Sie sicher, dass Schläuche und Verbindungen unbeschädigt und nicht abgenutzt sind;
  - Sichern Sie Schlauchkupplungen mit Sicherungsstift oder Draht;
  - Überprüfen Sie die Luftzufuhr des Helmes;
  - Stellen Sie sicher, dass das Kesseldruckventil richtig eingestellt ist;
  - Überprüfen Sie den festen und sicheren Stand der Maschine.

## 2. Ansicht Arbeitsaufbau.

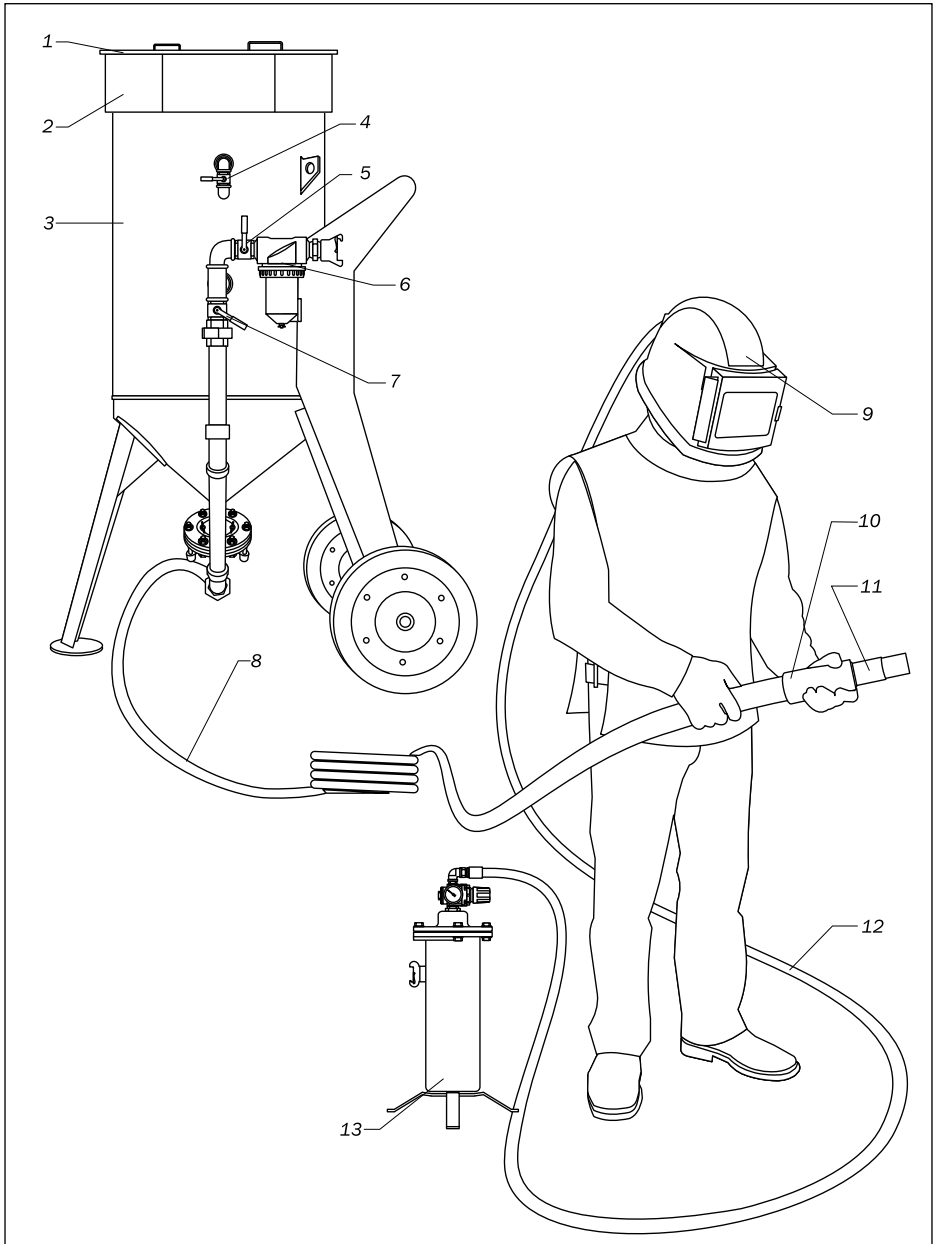


Tabelle 2.1.

Bestellnummer	Modell	Beschreibung, Konfiguration
10100	DBS-100	Strahlmaschine, 100 l, Sieb, Deckel, Filter, Wasserabscheider CAF-3, Sandstrahl-Dosierventil FSV.
10200	DBS-200	Strahlmaschine, 200 l, Sieb, Deckel, Filter, Wasserabscheider CAF-3, Sandstrahl-Dosierventil FSV.

◀ Abb. 2.1.

1 – Deckel,  
2 – Sieb,  
3 – Kessel,  
4 – Kesseldruck-Auslassventil,

5 – oberes Kugelventil  
Luftzufuhr,  
6 – Wasserabscheider CAF-3,  
7 – unteres Kugelventil  
Luftzufuhr,  
8 – Strahlschlauch ExtraBlast,

9 – Strahlhelm COMFORT,  
10 – Düsenhalter,  
11 – Düse,  
12 – Atemluftschlauch,  
13 – Atemluftfilter BAF-1.

# **3. Aufbau, Betrieb und Beenden der Arbeit.**

## **3.1. Arbeitsvorbereitung.**

1. Stellen Sie sicher, dass der Kompressor außerhalb der Strahlarbeitszone und nicht in Windrichtung steht.
2. Starten Sie den Kompressor und bringen Sie ihn auf Druck und Betriebstemperatur.
3. Öffnen Sie das untere Kugelventil der Druckluftzufuhr (Bei geöffnetem Ventil steht der Griff parallel zur Druckluftzufuhr).
4. Öffnen Sie das Kugelventil für den Kesseldruck.
5. Schließen Sie die Druckluftzufuhr (Das obere Kugelventil in der Druckluftleitung).
6. Schließen Sie das Sandstrahl-Dosierventil FSV, bringen Sie dazu den Hebel in die Mittelstellung.
7. Verbinden Sie den Druckluftschlauch mit der Schlauchkupplung an der Maschine. Der Schlauchdurchmesser sollte mindestens 1.1/4" betragen. Sichern Sie die Schlauchkupplung mit einem Sicherungsstift oder Draht.
8. Verbinden Sie den Strahlschlauch mit der Schlauchkupplung an der Maschine und sichern Sie die Kupplung mit einem Sicherungsstift oder Draht.
9. Füllen Sie den Tank mit Strahlmittel.
10. Legen Sie die Schutzausrüstung an.

## 3.2. Durchführung von Strahlarbeiten.

1. Legen Sie Druckluft am Einlass der Maschine an.



**ACHTUNG!**

**DER MAXIMALE ARBEITSDRUCK DER MASCHINE BETRÄGT 10 bar.**

2. Schließen Sie das Kesseldruck-Auslassventil.
3. Auf das Signal der Person, die die Strahlarbeiten durchführt, öffnen Sie das obere Druckluftventil und führen der Maschine Druckluft zu. Der Kessel nun wird unter Druck gesetzt. Aus der Düse tritt nur Druckluft aus.
4. Stellen Sie die optimale Mischung aus Luft und Strahlmittel am Sandstrahl-Dosierventil FSV ein. Im Allgemeinen gilt: je weniger Strahlmittel verwendet wird, desto besser.
5. Zum Beenden des Arbeitsvorgangs schließen Sie die Druckluftzufuhr und öffnen sofort darauf das Kesseldruck-Auslassventil, damit der Druck aus dem Kessel entweichen kann.

## 3.3. Beenden der Arbeit.

1. Entfernen Sie das restliche Strahlmittel aus dem Kessel. Nehmen Sie dazu die Düse ab und richten den Schlauch in einen geeigneten Behälter. Schließen Sie dann das Kesseldruck-Auslassventil und öffnen Sie das Ventil der Druckluftzufuhr, das restliche Strahlmittel wird so aus dem Kessel herausgedrückt.
2. Falls die Maschine nach Beendigung der Arbeit im Freien verbleibt, sollte sie mit einer Plane abgedeckt werden, um Eindringen von Feuchtigkeit zu vermeiden.

# 4. Wartung und Fehlerbehebung.

## 4.1. Wartung der Maschine.

### **Ersetzen des Kesseldruckventils.**

Öffnen Sie das Handloch der Maschine um Zugang zum Ventil zu bekommen.

Schrauben Sie das Führungsrohr, in dem sich das Ventil befindet, aus. Installieren Sie ein neues Ventil und schrauben Sie das Führungsrohr wieder ein.

### **Ersetzen des Dichtungsringes.**

Der Ring wird durch die Befüllungsöffnung ausgetauscht. Ziehen Sie den alten Ring heraus, setzen Sie einen neuen Dichtungsring in die Aussparung ein und drücken Sie ihn fest in die korrekte Position.



**ACHTUNG!**

**BENUTZEN SIE NUR GEEIGNETE STRAHLMITTEL.**

**VERWENDEN SIE KEINE FEUCHTEN ODER UNGESIEBTEN STRAHLMITTEL.**

## 4.2. Fehlerbehebung.

### **Verstopfen.**

Falls weder Strahlmittel noch Luft aus der Düse kommt, lassen Sie den Druck aus der Maschine ab und überprüfen Sie, ob die Düse verstopft ist. Falls nur Luft und kein Strahlmittel austritt, öffnen Sie das Mischventil ganz und schließen und öffnen Sie schnell das untere Ventil der Luftzufuhr. Falls diese Maßnahme nicht hilft, lassen sie den Druck aus dem Kessel ab, öffnen Sie das Handloch und Stellen Sie sicher, dass sich keine Fremdkörper (Steine, Papier) im Kessel befinden.

### **Stoßweiser Austritt von Strahlmittel.**

Bei Inbetriebnahme der Maschine sind gelegentliche Stöße von Strahlmittel normal. Falls das Auftreten von schubweisem Ausstoß jedoch anhält, sollten Sie versuchen, den Strahlmittelfluss durch schnelles Schließen und Öffnen des unteren Druckluftventils zu stabilisieren.

Strahlmittelstöße sind oft auf erhöhten Feuchtigkeitsgehalt im Druckluftsystem zurückzuführen.

Die Installation eines zusätzlichen Wasserabscheiders kann dieses Problem verhindern.

### **Entfernen von feuchtem Strahlmittel.**

Um feuchtes Strahlmittel aus dem Kessel zu entfernen, sollten Sie das Mischventil schließen, den Strahlschlauch abnehmen und die Gummidichtung aus der Schlauchkupplung herausnehmen. Öffnen Sie dann das Mischventil ganz und schließen das untere Ventil der Druckluftleitung der Maschine. Mit dieser Ventilstellung wird die Druckluft nur in den Kessel geleitet und drückt so das feuchte Strahlmittel heraus.



## 5. Spezifikation.

Nr.	Artikel	Bezeichnung	Menge	
			DBS-100	DBS-200
1	10900	Sandstrahlkupplung, CFT	2	2
2	10911	Doppelnippel 1.1/4", gummiert	4	4
3	10930	Wasserabscheider, CAF-3	1	1
5	10915	Verschraubung gerade 1 1/4", (i/a)	2	1
6	10909	Elbow, 90°, 1 1/4" (FM)	1	1
7	10910	T-Stück, 90°, 1 1/4", (i / i / i)	1	1
8	10942	Kugelventil, 1 1/4", (außen/außen)	2	2
9	10913	Verschraubung gerade, 1 1/4", (i/i)	–	1
10	10914	Rohr 1 1/4"	–	1
11	10916	Bogen, 45°, 1 1/4" (innen/innen)	1	1
12	10918	Rohr 1 1/4", (außen/außen) 390 mm für DBS-100	1	–
	10917	Rohr 1 1/4", (außen/außen) 475 mm für DBS-200	–	1
13	10919	Bogen, 45°, 1 1/4" (innen/außen)	1	1
14	10990	Y-Stück, 45°, 1.1/4", gummiert	1	1
15	10921	Rohrnippel 1.1/4", 100 mm, gummiert	1	1
16	10850	Sandstrahl-Dosierventil FSV	1	1
17	10994	Rohr 1", (außen/außen) 190 mm für DBS-100	1	–
	10952	Rohr 1", (außen/außen) 260 mm für DBS-200	–	1
18	10953	Winkel 90°, 1", (innen/innen)	1	1
19	10993	Rohr 1", (außen) 165 mm für DBS-100	1	–
	10954	Rohr 1", (außen) 190 mm für DBS-200	–	1
20	10955	Führungsrohr	1	1
21	10960	Verschlusskegel mit Schaft	1	1
22	10950	O- Ring	1	1
23	10932	Handlochdeckel für DBS-Kessel, Satz	1	1
24	10935	Sieb	1	–
	10936	Sieb	–	1
25	10933	Deckel	1	–
	10934	Deckel	–	1
33	10922	Rad	2	–
	10923	Rad	–	2
34	10941	Winkel, 90°, 1", (innen/außen)	2	2
35	10938	Kugelventil, 1" (außen/innen)	1	1

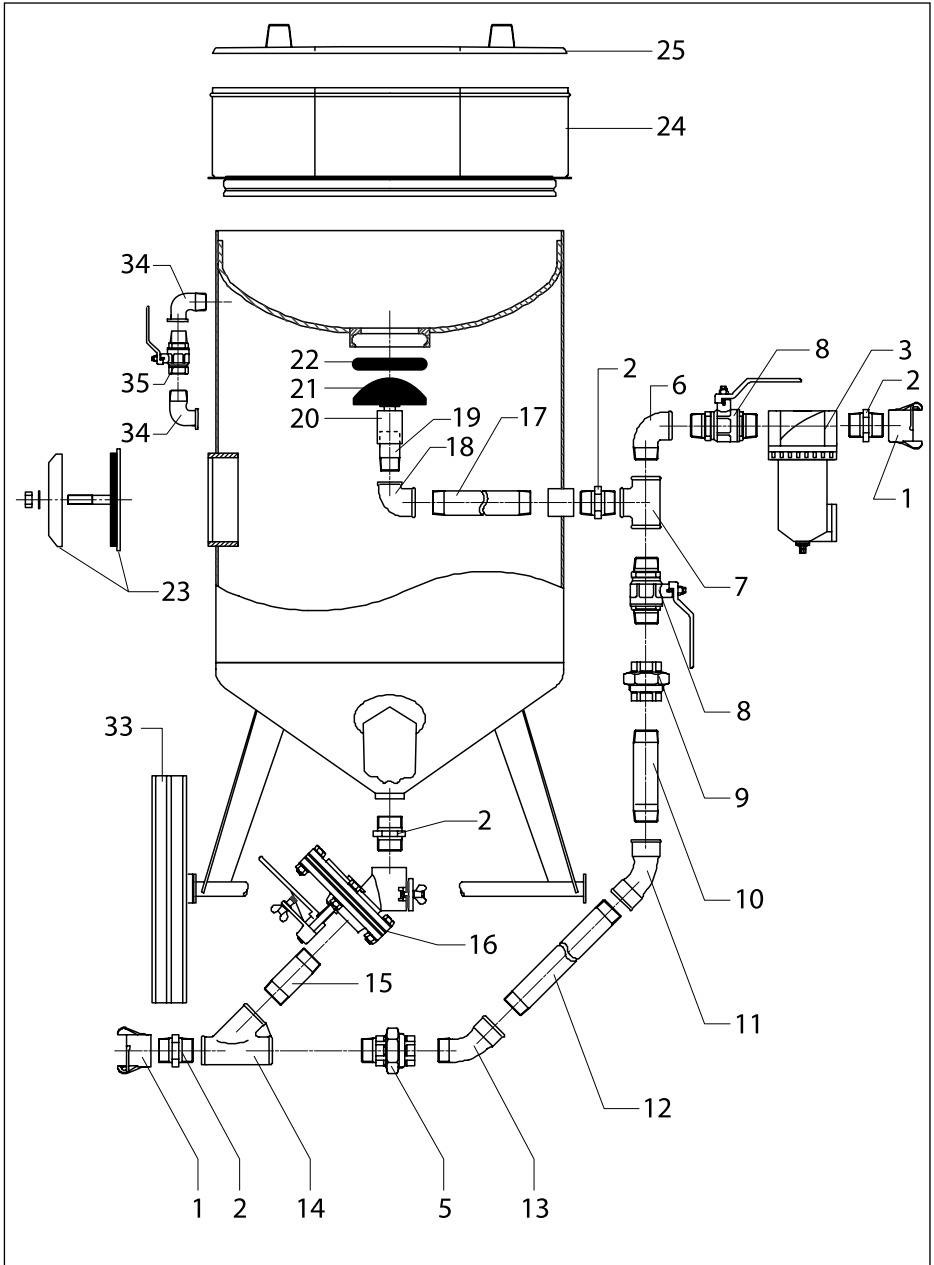


Abb. 5.1.

# 6. Bedienungsanleitung der Druckbehälter des Strahlgerätes CONTRACOR DBS.

## 6.1. Technische Parameter.

Behältertyp		DBS - 100 - 10	DBS - 200 - 10
Volumen	V (L)	100	200
Berechnungsdruck	P (Bar)	10	10
Höchstbetriebsdruck	PS (Bar)	10	10
Maximaler Prüfdruck	PT (bar)	14,3	14,3
Minimale Betriebstemperatur	TSmin (°C)	-10	-10
Maximale Betriebstemperatur	TSmax (°C)	50	50
Korrosionszuschlag	c <sub>2</sub> (mm)	0,5	0,5
Medium		Luft + Schleifmittel	Luft + Schleifmittel

## 6.2. Anwendungsbereich.

Die Druckbehälter sind nur mit den Medien und im Bereich der Betriebsparameter, die in der Tabelle „Technische Parameter“ dargestellt werden, anzuwenden. Die Anwendung für andere Zwecke ist verboten.

## 6.3. Aufstellung und Installation.

1. Die Behälter können in Arbeitsräumen oder unter einem Dach im Freien aufgestellt werden.  
Bei der Wahl der Arbeitsstelle sollten Sicherheitsvorschriften und -normen sowie Feuerwehr/Brandschutzvorschriften beachtet werden, wenn ihr Medium dies ver-

langt. Bei Einbau der Behälter im Freien sollte die minimale und maximale zulässige Betriebstemperatur beachtet werden.

2. Die Behälter müssen so ein/aufgebaut werden, dass alle Armaturen und Behälterteile für Revisionen, Versuche, Wartung und Reinigung, sowohl von innen als auch von außen, zugänglich sind.  
Zugänglich muss auch das Typenschild sein, das so gepflegt werden muss, dass es immer lesbar ist.
3. Der Grundkörper ist auf Füßen, Stützen oder Ständer gelagert, die für die Belastung des Innendruckversuches geeignet sind. Der Behälter muss auf Fundamenten mit entsprechender Tragfähigkeit aufgestellt werden, die für die Belastung des Innendruckversuches geeignet sind.

## **6.4. Betrieb von Behältern.**

### **A. Bedingungen für die Inbetriebnahme von Behältern.**

1. Der Behälter kann in Betrieb, inklusive des Versuchsbetriebs, genommen werden, wenn:
  - sein Zustand keine Gefahr für Personen und Umgebung darstellt,
  - ihre Ausrüstung und ihr Zubehör nach der Dokumentation und gültigen Normen vollständig sind, geprüft wurden und einschlägigen Anforderungen entsprechen.

### **B. Verfahren vor der Inbetriebnahme**

2. Bevor der Behälter geschlossen wird, ist zu überprüfen, ob in seinem Inneren keine fremden Gegenstände oder Substanzen gelassen wurden.
3. Es ist zu prüfen, ob die Einstiegdeckel, Kontroll- und Prüfschächte sowie alle Flanschverbindungen des Behälters die entsprechende Anzahl an Schrauben aufweisen, ob die Schrauben richtig eingesetzt sind und ob sie von richtiger Länge und mit dem richtigen Moment angezogen sind.

### **C. Verfahren bei der Inbetriebnahme.**

4. Falls in den Vorschriften zur Inbetriebnahme der Behälter nichts anderes angegeben wird, muss sich die Steuerarmatur so öffnen, dass der Überdruck nicht mehr als 5 bar pro 1 Minute wächst und die Temperatur den für den Anlauf der Behälter

bestimmten Wert nicht überschreitet, wobei plötzliche Änderungen von Druck und Temperatur wegen möglicher ungünstiger Spannungen zu vermeiden sind.

5. Bei der Inbetriebnahme des Behälters soll man ihn und sein Zubehör die ganze Zeit beobachten. Es dürfen keine Fehler am Behälter (z. B. Undichte oder Rissen) auftreten, sonst sind die Behälter sofort abzustellen.
6. Beim Erreichen des Betriebsdrucks ist die Dichtigkeit des Behälters samt Zubehör zu prüfen.

#### **D. Betrieb von Behältern.**

7. Der Behälter muss sofort abgestellt werden,
  - wenn es zur Rissbildung kommt,
  - wenn eine Undichtigkeit innerhalb von Verbindungen , die man ausbauen kann, auftritt,
  - wenn es zum Ausfall des Sicherheitszubehörs (z.B. zu Verstopfen des Sicherheitsventils), des Niveaumessers usw. kommt,
  - wenn eine direkte Gefahr eines Unfalls oder einer Störung bei weiterem Betrieb des Behälters besteht,
  - wenn bei der Arbeit des Behälters andere ungewöhnliche Erscheinungen auftreten, deren Ursache während des Betriebs nicht festzustellen oder zu beseitigen sind,
  - wenn eine Verformung an den Wänden der Druckanlage auftritt,
  - wenn die maximale Betriebstemperatur überschritten wird,
  - in allen Fällen, die in der Bedienungsanleitung für den Benutzer dafür angeführt werden.
8. Beim Transport dürfen die Behälter nicht unter Druck stehen und kein Betriebsmittel (Medium) enthalten.

## 6.5. Bedienung von Behältern

1. Den Behälter darf nur ein Mitarbeiter bedienen, der folgende Anforderungen erfüllt:
  - ist volljährig und zur Ausübung solcher Arbeit fähig,
  - ist mit entsprechenden Vorschriften und Richtlinien zum Betrieb der Behälter gut vertraut, wurde in der Bedienung der Behälter praktisch geschult und hat eine entsprechende durch Urkunden belegte Prüfung bestanden.

### A. Pflichten beim Betrieb der Behälter

2. Der zur Bedienung von Behältern bestimmte Mitarbeiter ist verpflichtet:
  - mit allen Einrichtungen an seinem Arbeitsplatz, die zur Gewährleistung eines sicheren Betriebs dienen, vertraut zu sein und ihre Bedienung zu kennen sowie im Stande zu sein unter ungewöhnlichen Umständen angemessen eingreifen können, um die Sicherheit wiederherzustellen,
  - Jede Störung, Havarie oder ungewöhnliche Erscheinung, die beim Betrieb des Behälters oder seines Zubehörs auftritt, seinem Vorgesetzten unverzüglich zu melden und den Behälter sofort abzustellen, wenn ein Weiterbetrieb gefährlich werden kann,
  - an Revisionen und Kontrollen des Behälters teilzunehmen, damit ihm selbst der Zustand des Behälters bekannt ist,
  - im empfohlenen Umfang das Zubehör des Behälters zu kontrollieren und zu testen,
  - Betriebsberichte gemäß den Betriebsvorschriften zu erstellen,

### B. Revisionen und Versuche der Behälter

3. Die Behälter sollen folgenden Revisionen und Versuchen unterzogen werden:
  - Außenrevision beim Betrieb,
  - Innenrevision,
  - Dichtheitsversuch,
  - Innendruckversuch,

Die Versuche sind nach den entsprechenden Vorschriften für den Gebrauch von Druckeinrichtungen im jeweiligen Land durchzuführen.

### **C. Revisionsprotokolle.**

4. Die Ergebnisse der Revisionen und der Versuche werden in ein Revisionsstagebuch, eventuell in Revisionskarten eingetragen oder es wird ein Revisionsprotokoll erstellt. Die Revisionsprotokolle müssen während der gesamten Nutzungsdauer des Behälters beim Benutzer aufbewahrt werden.

## **6.6. Reinigung und Wartung von Behältern.**

1. Die Reinigungsweise und –technik müssen so beschaffen sein, dass bei der Reinigung die Wände des Behälters nicht beschädigt werden und keine Gefahr für die Arbeiter entsteht.
2. Der Behälter muss nicht nur von innen wegen des Betriebsmediums, sondern auch von außen gereinigt werden und mit einer entsprechenden Farbschicht versehen werden, die den Behälter vor der Einwirkung des Betriebsmediums und inneren/äußeren Einflüssen schützt.
3. Alle Arbeiten am Behälter und seinem Zubehör, darunter auch dem Sicherheitszubehör, dürfen nur entsprechend geschulte und erfahrene Arbeiter durchführen, die namentlich bestimmt wurden und die entsprechenden Vorschriften in diesem Bereich kennen.

## **6.7. Reparaturen von Behältern.**

Am Behälter sind keine Schweißarbeiten und kein Eingriff an den mit Betriebsüberdruck belasteten Teilen erlaubt. Reparaturen und Einbau der Druckbehälter sind nur von zugelassenen Firmen/ Fachpersonal zu leisten.

# Содержание

1. Техника безопасности	33
2. Общий вид	34
3. Подготовка, работа и окончание работы	36
4. Т/О. Поиск и устранение неисправностей	38
5. Спецификация	40



## **ВНИМАНИЕ!**

**НЕ ПРИСТУПАЙТЕ К РАБОТЕ С ОБОРУДОВАНИЕМ, НЕ ПРОЧИТАВ ДАННОЕ РУКОВОДСТВО ПО ЭКСПЛУАТАЦИИ И ПОЛНОСТЬЮ ПОНЯВ ЕГО СОДЕРЖАНИЕ.**

**НИЖЕПРИВЕДЕННАЯ ИНФОРМАЦИЯ ВАЖНА ДЛЯ СОХРАНЕНИЯ ЗДОРОВЬЯ И БЕЗОПАСНОСТИ КАК ОПЕРАТОРА, ТАК И ОКРУЖАЮЩЕГО ПЕРСОНАЛА.**



## **ВНИМАНИЕ!**

**ПРИ ПОКУПКЕ АППАРАТА ТРЕБУЙТЕ ПРАВИЛЬНОГО ЗАПОЛНЕНИЯ ГАРАНТИЙНОГО ТАЛОНА!**

**ПРИ ОТСУТСТВИИ ЗАПОЛНЕННОГО ТАЛОНА ВЫ ЛИШАЕТЕСЬ ПРАВА НА ГАРАНТИЙНЫЙ РЕМОНТ.**



# 1. Техника безопасности.



## ВНИМАНИЕ!

### ПРАВИЛА БЕЗОПАСНОСТИ ПРИ ВЫПОЛНЕНИИ РАБОТ ПО АБРАЗИВОСТРУЙНОЙ ОЧИСТКЕ.

1. **Обязательно используйте защитное обмундирование: шлем с принудительной подачей воздуха, фильтр очистки воздуха дыхания, защитный костюм, кожаные перчатки, спец. обувь.**
2. **Не выполняйте работы с использованием изношенного или поврежденного оборудования.**
3. **Направляйте сопло только на участок, подлежащий очистке.**
4. **Используйте только сухие и хорошо просеянные абразивы, специально предназначенные для абразивоструйной очистки.**
5. **Необходимо удалить незащищенных рабочих за пределы участка абразивоструйной очистки.**
6. **Перед абразивоструйной очисткой следует:**
  - Проверить фитинги и рукава на предмет износа;
  - Закрепить проволокой воедино байонетные сцепления;
  - Проверить подачу воздуха в шлем;
  - Проверить правильность положения герметизирующего клапана;
  - Убедиться в том, что аппарат устойчиво стоит на земле.

## 2. ОБЩИЙ ВИД.

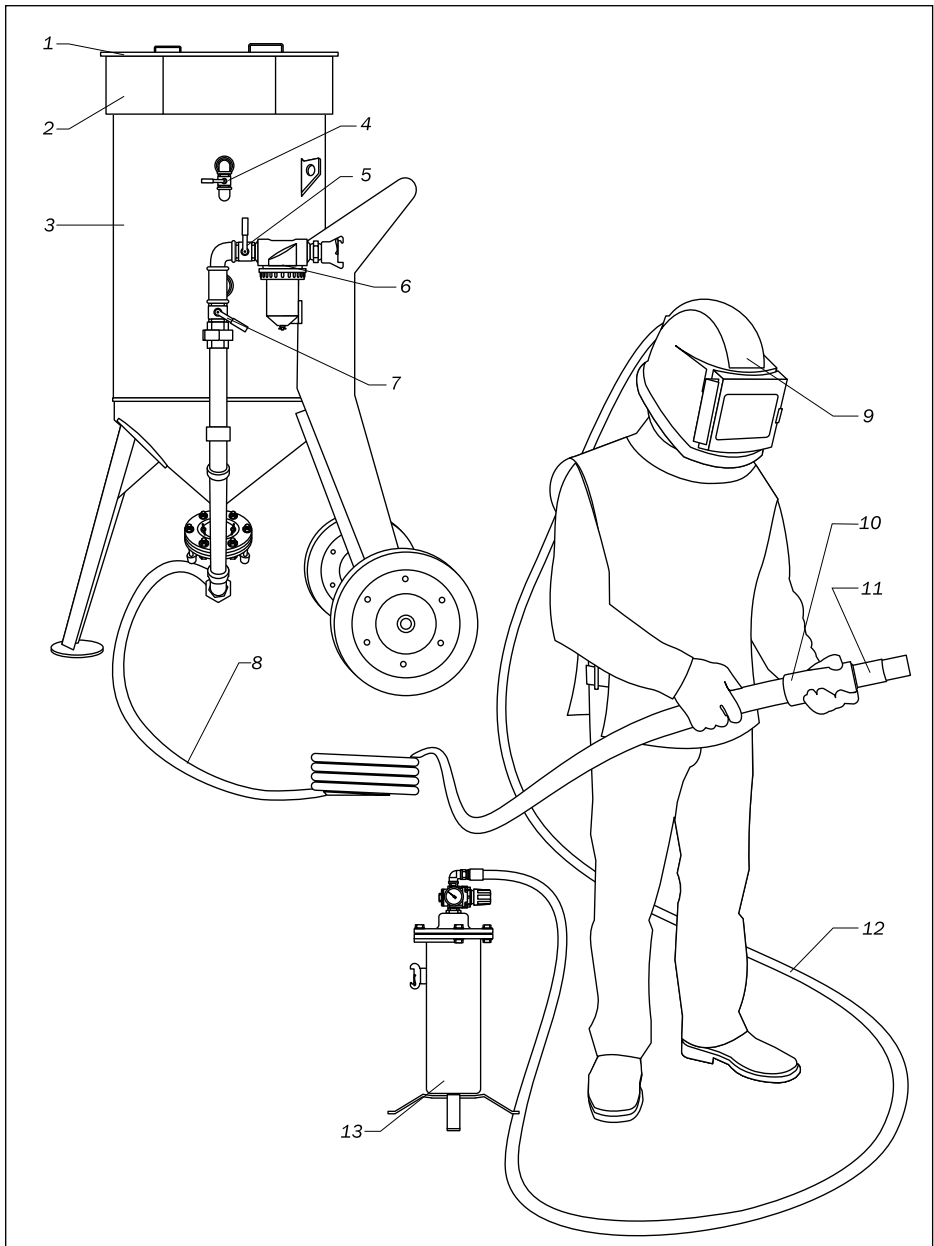


Табл. 2.1.

Артикул	Модель	Описание, комплектация
10100	DBS-100	Аппарат абразивоструйный, 100 л, сито, крышка, фильтр-влагомаслоотделитель CAF-3, клапан-дозатор абразива FSV.
10200	DBS-200	Аппарат абразивоструйный, 200 л, сито, крышка, фильтр-влагомаслоотделитель CAF-3, клапан-дозатор абразива FSV

◀ Рис. 2.1.

1 – крышка,  
 2 – сито,  
 3 – бак аппарата,  
 4 – кран герметизации шаровый,  
 5 – кран верхний шаровый воздушной магистрали,

6 – влагомаслоотделитель CAF-3,  
 7 – нижний шаровый кран воздушной магистрали,  
 8 – абразивоструйный рукав ExtraBlast,  
 9 – шлем оператора COMFORT,

10 – соплодержатель,  
 11 – сопло,  
 12 – рукав воздушный,  
 13 – фильтр воздуха дыхания BAF-1.

## **3. Подготовка, работа и окончание работы.**

### **3.1. Подготовка к работе.**

1. Убедиться, что компрессор расположен за пределами участка абразивоструйной очистки с подветренной стороны.
2. Запустить компрессор и довести давление и температуру компрессора до рабочих.
3. Открыть нижний шаровый кран на магистрали сжатого воздуха аппарата (ручка открытого крана должна находиться в положении, параллельном магистрали сжатого воздуха).
4. Открыть шаровый кран разгерметизации бака.
5. Закрыть шаровый кран подачи сжатого воздуха (верхний шаровый кран на магистрали сжатого воздуха).
6. Закрыть клапан-дозатор абразива FSV, поставив ручку регулировки в центральное положение.
7. Подключить рукав сжатого воздуха к байонетному сцеплению аппарата. Диаметр рукава сжатого воздуха должен быть минимум 1.1/4". Законтрить шпонкой или проволокой байонетные сцепления между собой.
8. Подключить абразивоструйный рукав к байонетному сцеплению аппарата. Законтрить шпонкой или проволокой байонетные сцепления между собой.
9. Заполнить бак аппарата абразивом.
10. Надеть защитное обмундирование.

## 3.2. Работа по абразивоструйной очистке.

1. Подайте сжатый воздух на вход аппарата.



**ВНИМАНИЕ!**

**МАКСИМАЛЬНОЕ РАБОЧЕЕ ДАВЛЕНИЕ АППАРАТА — 10 бар.**

2. Закройте шаровый кран герметизации.
3. По сигналу оператора, производящего абразивоструйную очистку, откройте шаровый кран и подайте сжатый воздух в магистраль аппарата. Бак герметизируется. Из сопла выходит только сжатый воздух.
4. Регулируйте клапан-дозатор абразива FSV с целью получения оптимальной воздушно-абразивной смеси. Общее правило: необходимо использовать как можно меньше абразива.
5. Для остановки работы закройте шаровый кран подачи сжатого воздуха и сразу откройте шаровый кран герметизации для сброса давления в баке.

## 3.3. Окончание работы по абразивоструйной очистке.

1. Удалите остатки абразива из бака. Для этого снимите сопло и направьте рукав в подходящий для отходов абразива контейнер. Закройте кран герметизации и откройте кран подачи сжатого воздуха.
2. Если по окончании работ аппарат остается на улице, его необходимо накрыть полиэтиленом для предотвращения попадания влаги внутрь бака.

## 4. Т/О. Поиск и устранение неисправностей.

### 4.1. Техническое обслуживание аппаратов.

#### **Замена герметизирующего клапана.**

Откройте ревизию аппарата с целью получить доступ к герметизирующему клапану. Выкрутите направляющую трубку, в которую вставлен клапан. Установите новый клапан и затем закрутите направляющую трубку в прежнее положение.

#### **Замена кольца герметизирующего клапана.**

Кольцо заменяется сверху через отверстие заполнения аппарата. Извлеките старое кольцо, вставьте новое кольцо в паз и установите его в правильное положение сильным нажатием.



### **ВНИМАНИЕ!**

**ИСПОЛЬЗУЙТЕ ТОЛЬКО ТЕ АБРАЗИВЫ, КОТОРЫЕ СПЕЦИАЛЬНО ПРЕДНАЗНАЧЕНЫ ДЛЯ АБРАЗИВОСТРУЙНОЙ ОЧИСТКИ.**

**НИКОГДА НЕ ИСПОЛЬЗУЙТЕ НЕПРОСЕЯННЫЕ ИЛИ ВЛАЖНЫЕ АБРАЗИВЫ.**

### 4.2. Поиск и устранение неисправностей.

#### **Засорение.**

Если из сопла аппарата не выходит ни абразив, ни воздух, следует вначале сбросить давление и разгерметизировать аппарат, а затем проверить сопло на засорение. Если из сопла выходит только воздух без абразива, следует полностью открыть дозирующий вентиль, а затем быстро закрыть и открыть нижний шаровый кран магистрали. Если это не помогло сбросить давление в аппарате, открыть ревизию и проверить бак на наличие посторонних предметов (камней, бумаги и т.д.).

#### **Пульсации абразива.**

При пуске аппарата пульсации абразива до определенной степени представляют

собой нормальное явление. Однако если пульсации абразива продолжаются, следует стабилизировать поток абразива быстрым закрытием и открытием нижнего шарового крана магистрали. Пульсации абразива зачастую обусловлены повышенной влажностью в системе сжатого воздуха. Эта проблема может быть решена установкой дополнительного влаго-маслоотделителя.

#### **Удаление влажного абразива.**

Для удаления влажного абразива из бака аппарата необходимо отсоединить пистолетный рукав и снять резиновый уплотнитель на байонетном сцеплении аппарата. Далее необходимо полностью открыть дозирующий вентиль и закрыть нижний шаровый кран в линии сжатого воздуха аппарата. Теперь при подаче сжатого воздуха он будет поступать только в бак аппарата и принудительно выдавливать влажный абразив.

## 5. Спецификация

Поз.	Артикул	Наименование	Количество	
			DBS-100	DBS-200
1	10900	Сцепление байонетное, СФТ	2	2
2	10911	Ниппель 1 1/4" (ПП), обрезиненный	4	4
3	10930	Фильтр-влагомаслоотделитель, САФ-3	1	1
5	10915	Муфта с накидной гайкой, прямая, 1 1/4", (МП) /"американка"/	2	1
6	10909	Тройник, 90°, 1 1/4", обрезиненный	1	1
7	10910	Тройник, 90°, 1 1/4", (МММ)	1	1
8	10942	Кран шаровый, 1 1/4", (ПП)	2	2
9	10913	Муфта с накидной гайкой, прямая, 1 1/4", (ММ) /"американка"/	—	1
10	10914	Труба 1 1/4"	—	1
11	10916	Угольник, 45°, 1 1/4" (ММ)	1	1
12	10918	Труба 1 1/4", (ПП) 390 мм для DBS-100	1	—
	10917	Труба 1 1/4", (ПП) 475 мм для DBS-200	—	1
13	10919	Угольник, 45°, 1 1/4" (МП)	1	1
14	10990	Тройник 45° 1 1/4" (МММ), обрезиненный	1	1
15	10921	Трубка 1 1/4", (100 мм), обрезиненная	1	1
16	10850	Клапан-дозатор абразива FSV	1	1
17	10994	Труба 1", (ПП) 190 мм для DBS-100	1	—
	10952	Труба 1", (ПП) 260 мм для DBS-200	—	1
18	10953	Угольник 90°, 1", (ММ)	1	1
19	10993	Труба 1", (П) 165 мм для DBS-100	1	—
	10954	Труба 1", (П) 190 мм для DBS-200	—	1
20	10955	Направляющая	1	1
21	10960	Клапан герметизирующий	1	1
22	10950	Седло герметизирующего клапана	1	1
23	10932	Сервисный узел бака DBS, комплект	1	1
24	10935	Сито	1	—
	10936	Сито	—	1
25	10933	Крышка бака	1	—
	10934	Крышка бака	—	1
33	10922	Колесо	2	—
	10923	Колесо	—	2
34	10941	Угольник, 90°, 1", (МП)	2	2
35	10938	Кран шаровый, 1" (ПМ)	1	1



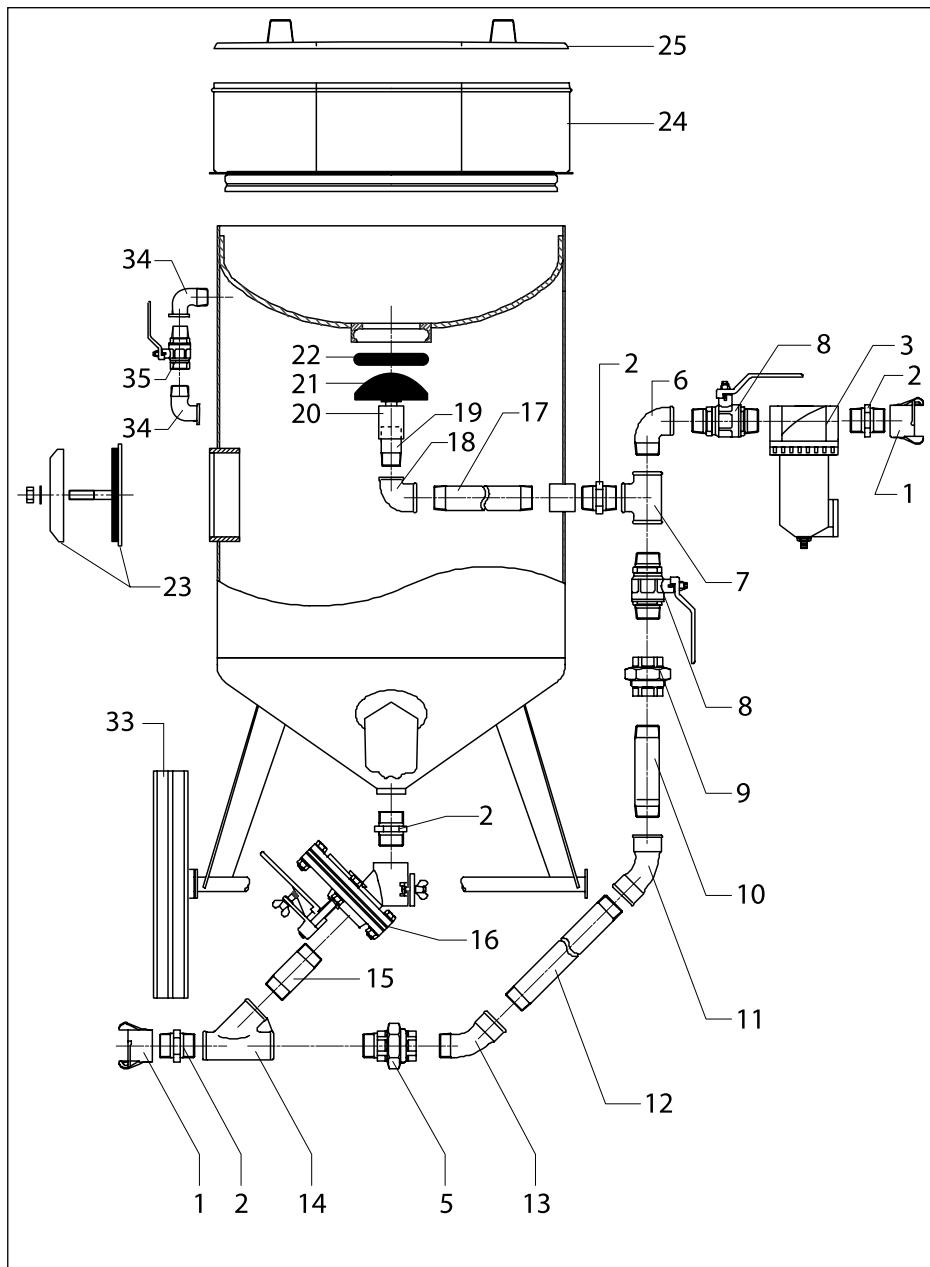


Рис. 5.1.





